

XARM™ Weight Bearing Platform

Imaging Platforms



Our XARM™ Weight Bearing Platform is designed to assist with positioning the patient for weight bearing lateral, AP, and other lower extremity exams. Its open-frame configuration is compatible with most U-Arm and Straight Arm systems available today.

Constructed of a welded steel frame, stainless steel handrails, and clear polycarbonate top, it securely supports over 500 pounds.

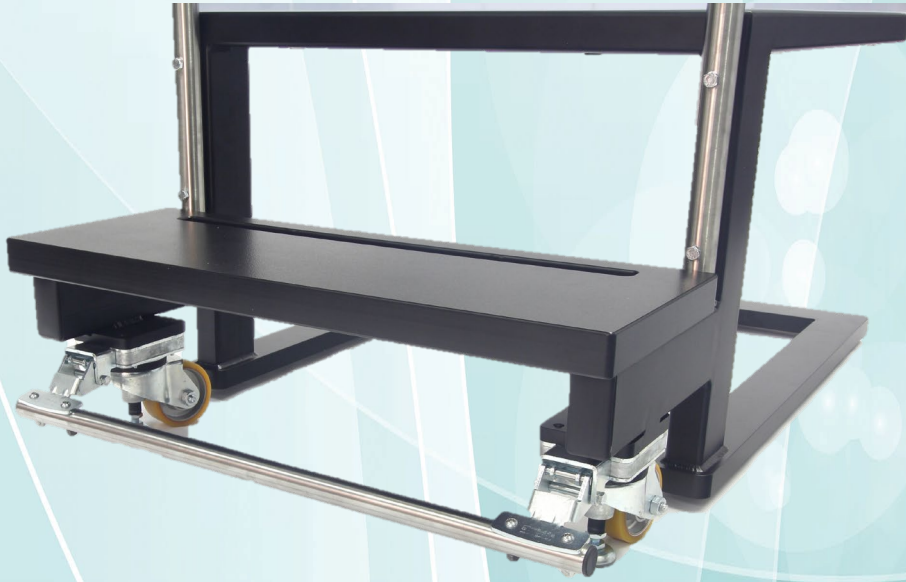
All our Weight Bearing Platforms are fully tested by an independent accredited facility for attenuation and weight capacity.



TF: 800.528.6311 O: 585.392.4336 Fax: 585.392.5575
50 Old Hojack Lane, Hilton, NY 14468

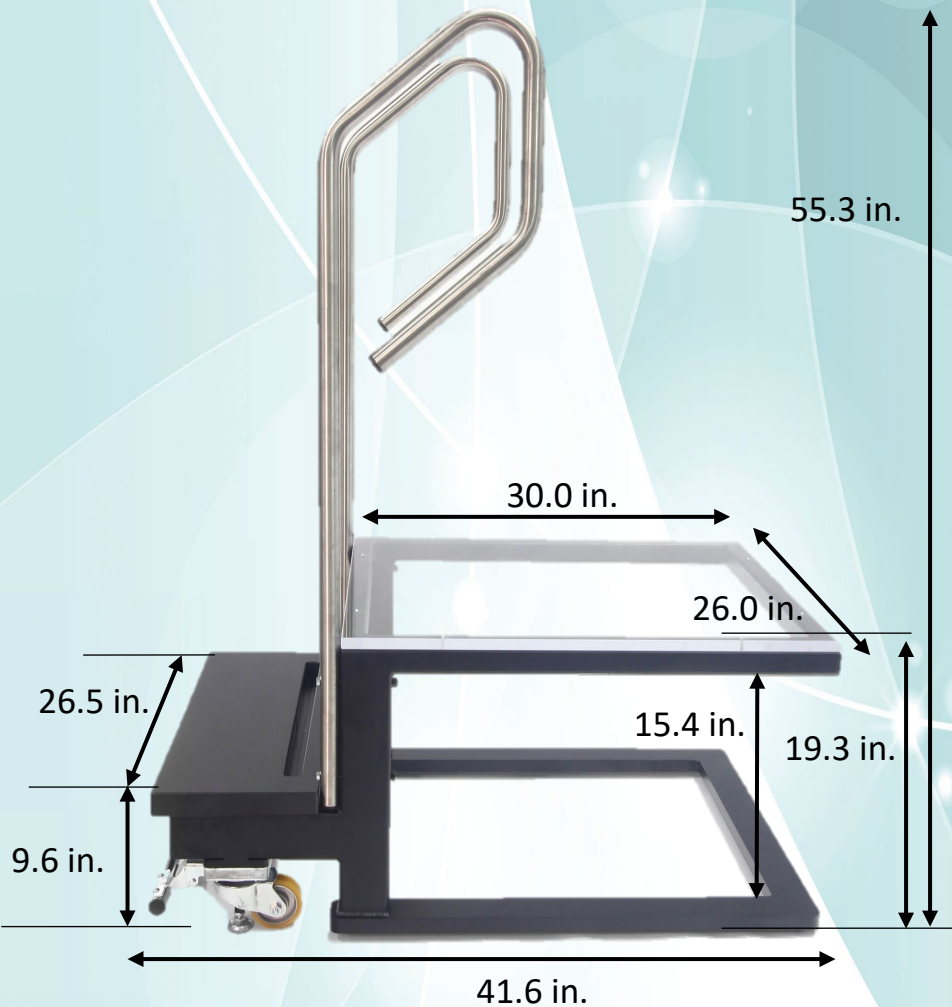
www.rcimaging.com

XARM™ Weight Bearing Platform



The XARM™ Weight Bearing Platform is effortless to maneuver in a tight space due to its heavy-duty swivel casters and easy steering. After positioning, it simply and securely locks into place with an intuitive quick release trip bar.

- *Over 500 pounds weight capacity*
- *Comfortable, easy to sanitize medical grade stainless steel handrails*
- *Heavy duty rear casters make relocation and storage simple*
- *5-year warranty*



*Part # A.XArm
Ships fully assembled
motor freight at 250
pounds.*

