

RADON

MEDICAL IMAGING



Del Medical Straight Arm

radonmedicalimaging.com

We focus on people, innovative products,
and service excellence

WV Office 866-723-6698

VA Office 800-722-1991

DEL MEDICAL

STRAIGHT ARM

UNIVERSAL X-RAY SYSTEM



System Overview

Economical X-ray

The Del Medical Straight Arm is an economic X-Ray system that can perform a comprehensive range of radiographic procedures. Its flexibility permits imaging of patients sitting or standing as well as recumbent when optional mobile table is present. The Straight Arm is a great solution for use in private practices or any space-sensitive imaging environment.

The Straight Arm system was developed to keep costs low while also producing high-quality diagnostic images. Built in the USA, it is prepared to deliver many years of continuous use and exceptional user-satisfaction.

System Includes

- ▶ Straight Arm System
- ▶ Optional Mobile Positioning Table
- ▶ High-Frequency Generator

Optional

- ▶ DELWORKS DR System
- ▶ MT500 Mobile Table

Key Highlights



Linear and Compact Design, Always Aligned



Always Centered Tube and Image Receptor



Manual and Motorized Positioning



Optional Mobile Positioning Table



Powerful High Frequency Generator



Fixed and Wireless DR Detector Options



Dose Management Configurations



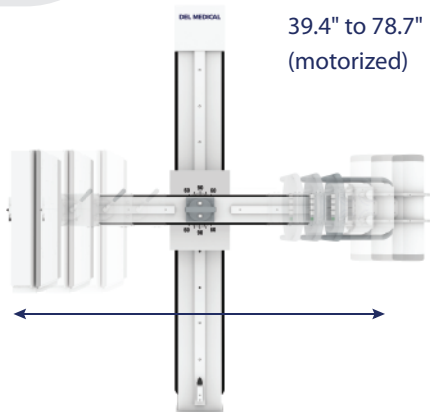
System Features

Flexible Movements

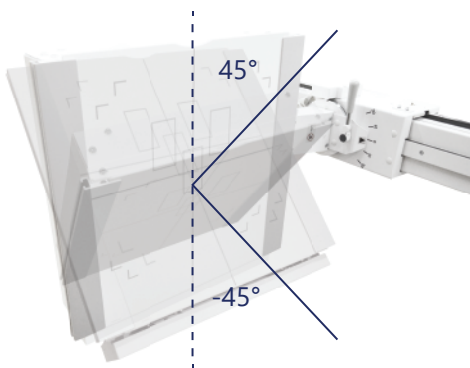
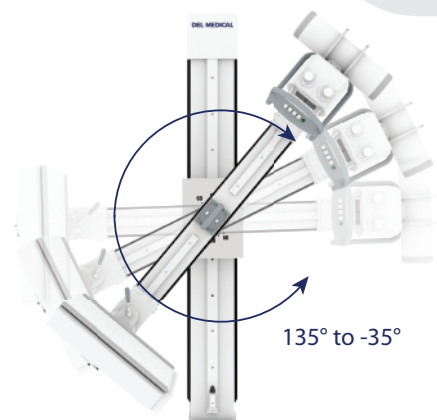
The Straight Arm features expanded motorized SID and vertical movement, which is perfect for 72" chest imaging or close range weight-bearing examinations of the knee and leg. Easily capture head to knee images of a standing patient without unnecessary repositioning. The rotating arm can turn uninterrupted from 135° to -35° and its receptor tray can tilt over a $\pm 45^\circ$ range making nearly any view accessible. The tilting receptor tray is perfect for use in hard to reach orthopedic, spine, and skull views where intricate angles are necessary.

Aside from its movement capabilities, the Straight Arm is extremely compact and accommodating. Its single-column floor-mounted design minimizes the need for room modifications and permits simplified installations.

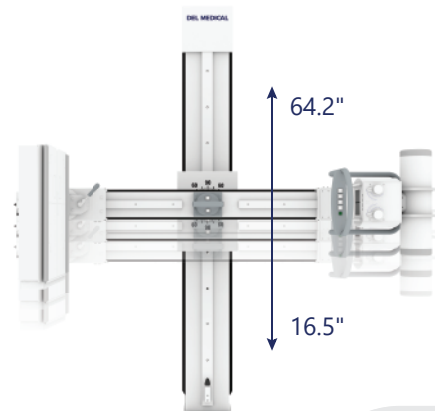
SID Range



Arm Swivel



Receptor Tilt



Vertical Travel

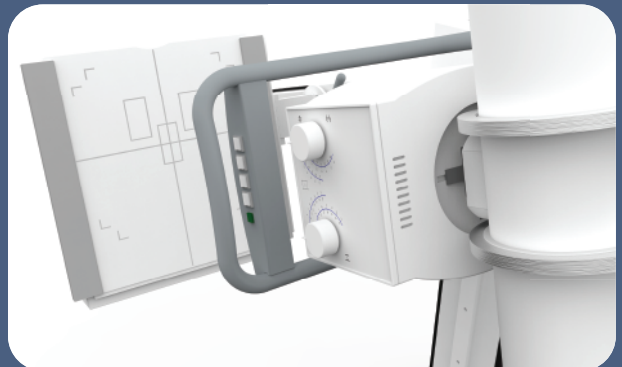
Optional Mobile Table

The MT500 gives technologists access to recumbent table top positioning for patients that have difficulty performing weight-bearing examinations. The table features a sturdy build that can be easily moved around the imaging room. When the desired position is reached, its wheel brakes can be engaged for optimal safety. The tabletop side rails can be used to attach accessories such as patient-side handgrips or a compression band.



Always Perfectly Aligned

Technologists never have to worry about incorrect tube to receptor alignment. Due to its linear design, the Straight Arm system will always remain centered and in the most optimal position to take an exposure. This feature guarantees fast and precise positioning throughout every exam type.



DR Features

High Quality Images, Reduced Patient Dose

DELWORKS

DELWORKS is a powerful image acquisition and processing software featuring a user-friendly interface that provides sophisticated and speedy medical imaging. Designed with complex system automation, DELWORKS aims to simplify the examination process by making difficult decisions for you.

Its advanced anatomical programming and image processing algorithms help optimize technologist productivity. DELWORKS strives to minimize human error and unwanted repeat exams to give technologists the highest quality image at a lower dose, with every exposure.

Software Features

- ▶ Pre-exposure display of patient and procedure information, X-ray generator exposure factors, status and control functions integrated into a single display screen
- ▶ Exam-specific image processing algorithms automatically optimize images based on selected patient anatomy
- ▶ Enhanced image processing parameters. APR specific default values and manual adjustment, if desired
- ▶ Image rotation in 90° steps, horizontal mirroring, automatic and manual image cropping to collimated area
- ▶ Easy verification and correction of image laterality and patient orientation

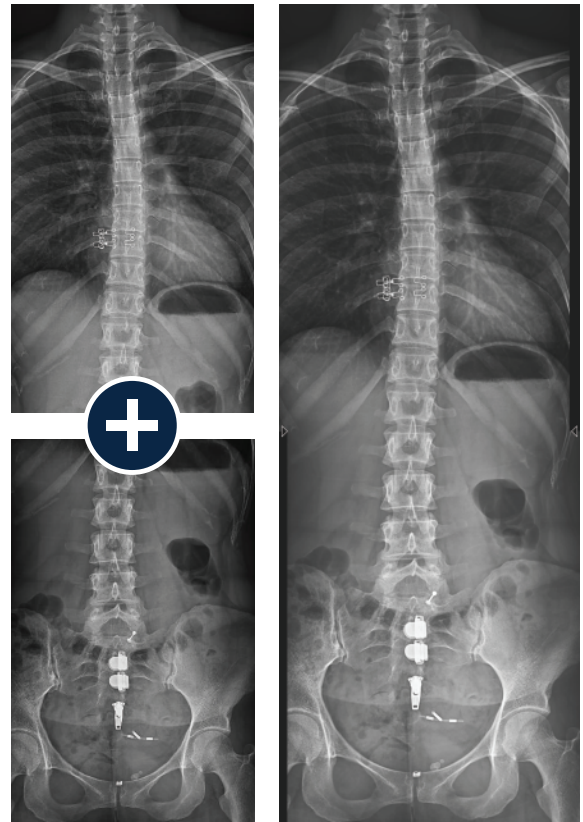


Image Stitching

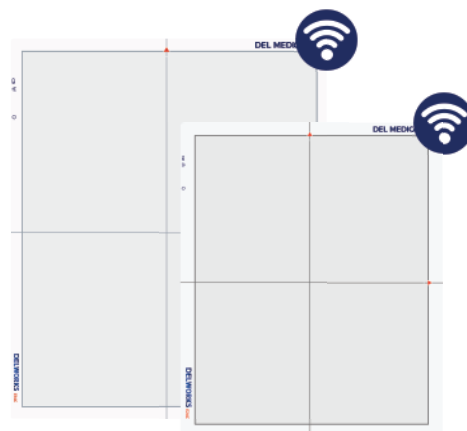
The optional image stitching application requires no unnecessary preprogramming or additional equipment, making full-length spine studies effortless and accurate.

- ▶ Intuitively add orientation markers and text comments directly to acquired images (pre-defined or free text)
- ▶ Detailed histograms of pixel density
- ▶ User selection of modified LUT (Look-Up Table) based on various exam types
- ▶ Manual adjustment of the LUT, window and level
- ▶ Effectively manage rejected images

Premium Detectors Available in Single, Dual, or Multi-Detector Applications

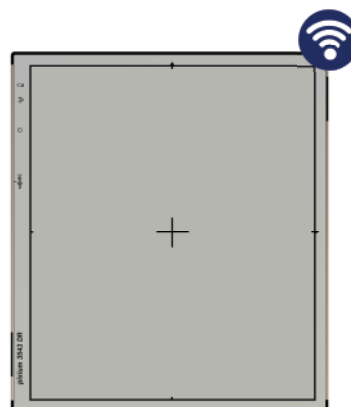
E14C Wireless Detector

The E14C is an ultra-light, portable 14" x 17" (35 cm x 43 cm) wireless detector with outstanding image quality, offering the compact versatility needed to optimize workflow. The E14C has an internal accelerometer that automatically senses motion and takes the detector in and out of ready mode, extending its battery life.



E24C Wireless Detector

The E24C is a compact 24 cm x 30 cm version of the E14C detector that is ideal for small anatomy and pediatric imaging.



E14Ce Wireless Detector

The E14Ce is an economical and technology rich wireless 14" x 17" (35 cm x 43 cm) detector option with Cesium Iodide.

EasyConnect

DELWORKS wireless detectors feature EasyConnect — an Auto Exposure Detection (AED) technology that keeps the detector in a standby mode, awaiting exposure from any X-ray source. Once the exposure is detected it instantly captures the X-ray image and transmits it wirelessly to the system workstation.

E17C Fixed Detector

The E17C fixed, 17" x 17" (43 cm x 43cm), large format flat-panel detector is designed to minimize technologist interaction with upright exams in a dual or multi-detector configuration. It is easy to integrate into all types of X-ray systems and delivers both quality images and fast exams for increased productivity.

